

SPECTRE CORPORATION

7912 ROOT ROAD, SUITE C/D
NORTH RIDGEVILLE, OH 44039

SALES PH: 440.250.0580/0616

FAX: 440.353.0269

EMAIL: INFO@SPECTRESENSORS.COM

MODEL 1000LT OEM PRESSURE TRANSDUCER

- ELIMINATE DRIFT-FUSED BOND SENSOR TECHNOLOGY FOR LONG TERM STABILITY
- SENSOR WETTED MATERIAL MACHINED FROM SOLID STAINLESS STEEL BAR – NO WELDING
- RFI/EMI PROTECTION ON EVERY TRANSDUCER
- PRESSURE RANGES: 0-5 PSI UP TO 10000 PSI AND 0-15 PSI (VACUUM)
- OUTPUT: 4-20 mADC, 1-5 VDC, 1-6 VDC, mV/V, RATIOMETRIC
- STANDARD ACCURACY OF 0.25% BFSL



PERFORMANCE @ 25°C (77°F)

ACCURACY: $<\pm 0.25\%$ BFSL
STABILITY (1 YEAR) $<\pm 0.25\%$ FS, TYPICAL
OVER PRESSURE PROTECTION: 2X RATED PRESSURE
BURST PRESSURE: 5X OR 20000 PSI (LESSER)
PRESSURE CYCLES: >100 MILLION
OPERATING TEMPERATURE: -40°C TO $+85^{\circ}\text{C}$

ENVIRONMENTAL DATA

STORAGE TEMP: -50°C TO $+125^{\circ}\text{C}$
COMPENSATED RANGE: 0°C TO 50°C
TEMP COMP ZERO: $\leq \pm 1.5\%$ FS
TEMP COMP SPAN: $\leq \pm 1.5\%$ FS

ELECTRICAL DATA EXCITATION:

10-29 VDC (4-20 mADC, 0 – 5 VDC)
5 VDC (mV/V and RATIOMETRIC)
CURRENT CONSUMPTION: <5 mA, mV/V
CURRENT CONSUMPTION: <10 mA, CURRENT/VOLTAGE
ZERO OFFSET: $<\pm 0.1\%$ OF FS
SPAN TOLERANCE: $<\pm 1.0\%$ OF FS
OUTPUT LOAD: 5K Ω (VOLTAGE)
800 Ω @ 24 VDC (4-20 mADC)

PHYSICAL DATA:

SENSOR WETTED MATERIAL: 17-4 PH (316 SS OPTIONAL)
PRESSURE CONNECTION: $\frac{1}{8}''$ & SAE-4 MALE¹
ELECTRICAL CONNECTION: 24" LEADS, DIN 43650
VIBRATION: 10G PEAK, 20-2000 Hz
SHOCK: 100G, 11msec; $\frac{1}{2}$ SINE

¹ OTHERS AVAILABLE, CONSULT FACTORY

SPECTRE CORPORATION

7912 ROOT ROAD, SUITE C/D
NORTH RIDGEVILLE, OH 44039

SALES PH: 440.250.0580/0616

FAX: 440.353.0269

EMAIL: INFO@SPECTRESENSORS.COM

ORDERING GUIDE: 1000LT-A-(0-100PSI)-2-M-EC1-174

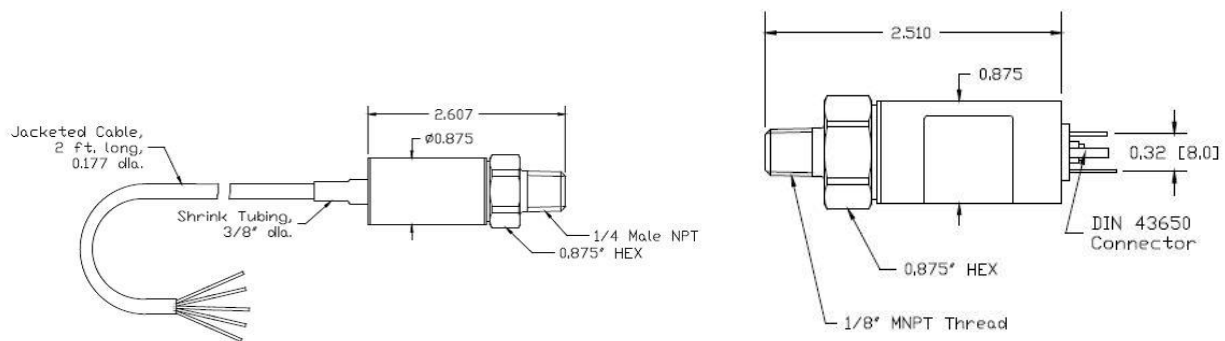
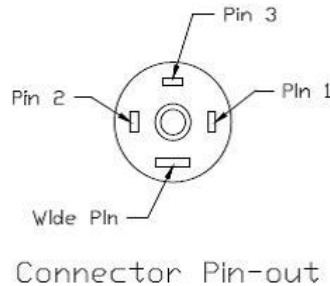
A	(0-300)	4	D	EC1
PRESSURE PORT	RANGE	TYPE	PRESSURE OUTPUT	CONNECTOR
A = 1/4" MNPT	PSI		D = 4-20 mA	EC1 = 36" PIGTAIL ²
B = SAE-4 MALE	BAR	2 = GAUGE	M= 1-5 VDC	EC2 = LARGE DIN 43650, FORM A
C = OTHER	KPA	3 = VACUUM	N= 1-6 VDC	EC3 = MINI DIN 43650, FORM C
D = 1/8" MNPT	INCHES WC	4 = SEALED	P = 5mV/V	EC9 = 1/2" CONDUIT, 24" LEADS
	TORR	5 = COMPOUND	R=0.5-4.5 VDC	ECX = OTHER
		6 = OTHER	X=OTHER	

² PVC STANDARD CABLE JACKET-OTHERS AVAILABLE ON REQUEST

MATERIAL OPTIONS:

174= 17-4 PH STAINLESS STEEL
316= 316 STAINLESS STEEL

DIMENSIONS: REFERENCE ONLY



ABOVE DIMENSIONS MAY VARY WITH OPTIONS AND ARE SUBJECT TO CHANGE