



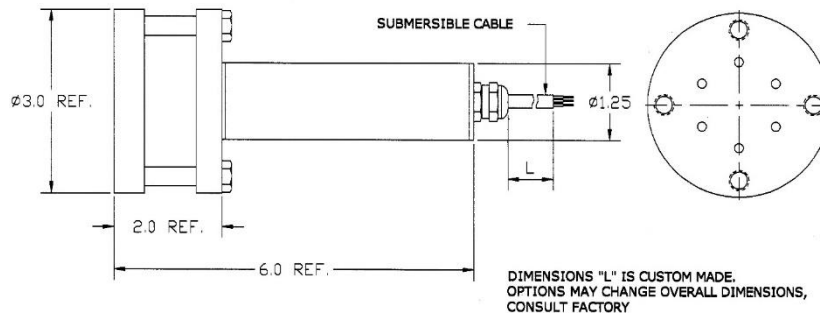
Model 881 Submersible Transducer

- Standard Pressure Outputs: 4-20 mADC, 0-10 VDC, 0-5 VDC, mV/V
- 0.5% BFSL (Standard), 0.2% BFSL and 0.1% BFSL available
- ½" NPT Conduit Connection Standard
- Standard ranges from 0-1 psi to 0-100 psi -contact factory for other ranges
- Flush Diaphragm Transducer with Debris Stand-off
- Lightning and Surge Protection

FEATURES:

- 3-inch Diameter Protective Cage Assembly
- Corrosion Resistant – 316 Stainless Steel Construction
- Compatible with Wide Variety of Liquids
- RFI/EMI Protection on every unit
- Rugged Design for Harsh Environments
- Wide Operating Temperatures
- Hytrel® Jacketed Cable

REFERENCE DIMENSIONS:





Model 881 Submersible Transducer

Ordering Guide: 881-A-(0-15PSI)-2-D-5-SCV40

A	(0-15PSI)	2	D	5	SCV40
PRESSURE PORT	RANGE ¹	TYPE	PRESSURE OUTPUT	ACCURACY (BFSL)	CONNECTOR ²
DEBRIS STANDOFF	PSI	1 = ABSOLUTE	D = 4-20 mA	5 = 0.5%	SCV40 = 40' VENTED CABLE ³
	IN/FT WC	2 = GAUGE	E = 0-5 VDC	2 = 0.2%	SCN = NON-VENTED CABLE ³
	BAR	4 = SEALED	F = 0-10 VDC	1 = 0.1%	
		6 = OTHER	M = mV/V		

¹ OTHER RANGES AVAILABLE, CONSULT FACTORY

² UNITS SUPPLIED WITH 1/2" MNPT CONDUIT CONNECTION AS STANDARD

³ 40 FEET STANDARD LENGTH OF CABLE – ADDITIONAL LENGTHS AVAILABLE ON REQUEST

TYPICAL APPLICATIONS

Process Sludge	Wet Wells
Process Sumps	Water Tanks and Reservoirs
Environmental Sites	Water/Wastewater Monitoring

Electrical Data

Excitation: 9-36 VDC (4-20 mA), 13-36 VDC (0-5V, 0-10V)

Current Consumption: < 5 mADC

Zero Offset: $\leq \pm 0.25\%$ of FS

Span Tolerance: $\leq \pm 1.0\%$ of FS

Output Load: >10K Ω

Reverse Polarity Protection: Yes

Physical Data

Sensor

Wetted Material: 316 SS

Housing: 316 SS

Connections

Pressure: 3" Diameter Cage Assembly

Electrical: Vented and Non-vented Cable

Environmental Data

Temperature

Operating: -40°C to 85°C

Storage: -50°C to 125°C

Thermal Limits

Compensated Range: 1°C to 55°C

Thermal Effect Zero: $\leq \pm 1.0\%$ FS

Thermal Effect Span: $\leq \pm 1.0\%$ FS

Performance @ 25 °C

Accuracy: < $\pm 0.5\%$ BFSL to 0.1% BFSL⁴

Stability: (2 year): $\leq \pm 0.05\%$ FSO, Typical

Overpressure Protection: 2X Rated Pressure

Burst Pressure: 2.5X Minimum

Pressure Cycles: > 50 Million

Temperature Range: 1°C to +40°C

Temperature Accuracy: $\pm 1^\circ\text{C}$

⁴ Accuracy includes non-linearity, hysteresis and non-repeatability

