

SPECTRE CORPORATION

7912 ROOT ROAD, SUITE C/D
NORTH RIDGEVILLE, OH 44039

SALES PH: 440.250.0580/0616

FAX: 440.353.0269

EMAIL: INFO@SPECTRESENSORS.COM

MODEL D150 DIFFERENTIAL PRESSURE TRANSDUCER

- STANDARD ACCURACY OF 0.5% BFSL ¹
- OUTPUTS: 4-20 mADC, 0-5 VDC, 0-10 VDC ²
- RFI/EMI PROTECTION ON EVERY TRANSDUCER
- RANGES: 1 PSID TO 500 PSID (0.1 – 35 BAR D)
- LINE PRESSURES UP TO 1450 PSI (100 BAR)
- SUITABLE FOR HIGH SHOCK AND VIBRATION APPLICATIONS
- AVAILABLE WITH TEMPERATURE OUTPUT ³
- TEMPERATURE COMPENSATION AT SENSOR ELEMENT
- CUSTOM DESIGNS AVAILABLE



PERFORMANCE @ 25°C (77°F)

ACCURACY: $\pm 0.5\%$ BFSL TO 0.1% BFSL
STABILITY (1 YEAR) $\pm 0.25\%$ FS, TYPICAL
MAXIMUM LINE (SYSTEM) PRESSURE : 1450 PSI (100 BAR)
DIFFERENTIAL PRESSURE: 10X FS \leq 150 PSI \geq 1450 PSI (100 BAR)
OVERPRESSURE: 2.5X FS MINIMUM
PRESSURE CYCLES: >50 MILLION

ENVIRONMENTAL DATA

TEMPERATURE

OPERATING: -40°C TO 85°C
STORAGE: -50°C TO 125°C
COMPENSATED: 0°C TO 70°C
TEMP COMP ZERO/SPAN: $\pm 1.0\%$ FS

ELECTRICAL DATA:

EXCITATION

9 – 36 VDC (4-20 mADC)
13 – 36 VDC (0 – 5 VDC, 0 – 10 VDC)
5 – 10 VDC (mV/V OUTPUT)
CURRENT CONSUMPTION: <math>< 10</math> mA
ZERO OFFSET: $\pm 0.1\%$ OF FS
SPAN TOLERANCE: $\pm 1.0\%$ OF FS
OUTPUT LOAD: > 10K Ω

PHYSICAL DATA:

PRESSURE CONNECTION: 1/4" MNPT, SAE-4
SENSOR WETTED MATERIAL: 316 SS
BODY MATERIAL: 316 SS

¹ OPTIONAL: 0.2% BFSL & 0.1% BFSL

² CUSTOM OUTPUTS AVAILABLE

³ THERMOCOUPLE OR RTD

SPECTRE CORPORATION

7912 ROOT ROAD, SUITE C/D
NORTH RIDGEVILLE, OH 44039

SALES PH: 440.250.0580/0616

FAX: 440.353.0269

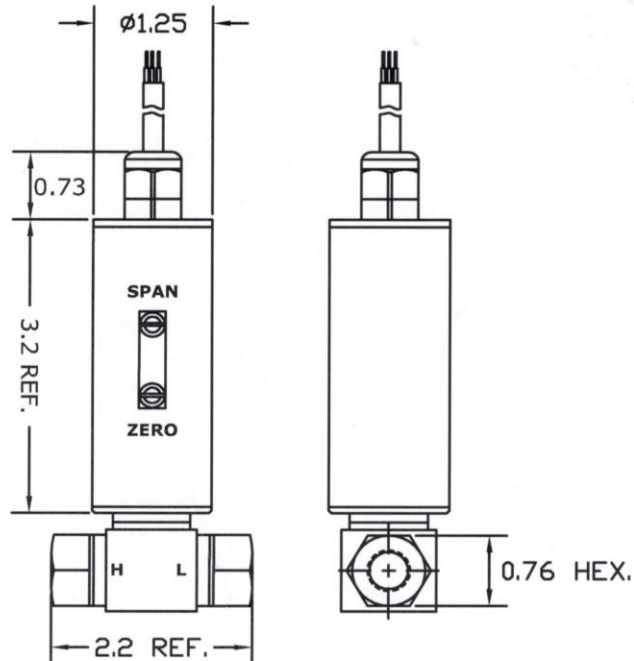
EMAIL: INFO@SPECTRESENSORS.COM

ORDERING GUIDE: D150-A-(0-50PSI)-D-0-5-EC1

A	(0-50PSI)	D	0	5	EC1
PRESSURE PORT	RANGE ⁴	PRESSURE OUTPUT	TEMP OUTPUT	ACCURACY (BFSL)	CONNECTOR
A = ¼" MNPT	0-1 PSID	D = 4-20 mA	0 = NONE	5 = 0.5%	EC1 = 36" PIGTAIL
B = SAE-4 MALE	0-500 PSID	E = 0-5 VDC	3 = TC (J OR K)	2 = 0.2%	EC2 = LG DIN 43650, FORM A
C = OTHER		F = 0-10 VDC	4 = RTD (100Ω)	1 = 0.1%	EC3 = MINI DIN 43650, FORM C
		X = OTHER	5 = OTHER		EC4 = BENDIX PTIH-10-6P
					ECX = OTHER

⁴ SPECIFY UNIT OF MEASURE REQUIRED (BAR, PSI, WC)

DIMENSIONS: REFERENCE ONLY ⁵



⁵ ACTUAL DIMENSIONS MAY VARY, SHOWN WITH OPTIONAL EXTERNAL ZERO & SPAN ADJUSTMENTS